

State-of-the-art
Medium Capacity
Fully Digital
Laser Sorter



Lynx™ Digital laser sorter
Chycane-slide infeed-chute
Food

Fully digital laser sorter

Color, biostructure and shape sorting
Uncompromised Combined

Patented Chycane™-slide
(Patent pending)
68 cm (27") infeed-chute

Highest defect efficiency
Lowest false reject

Small footprint, high capacity

Easy to clean, low maintenance and
spare part requirement

Reliable state-of-the-art technology

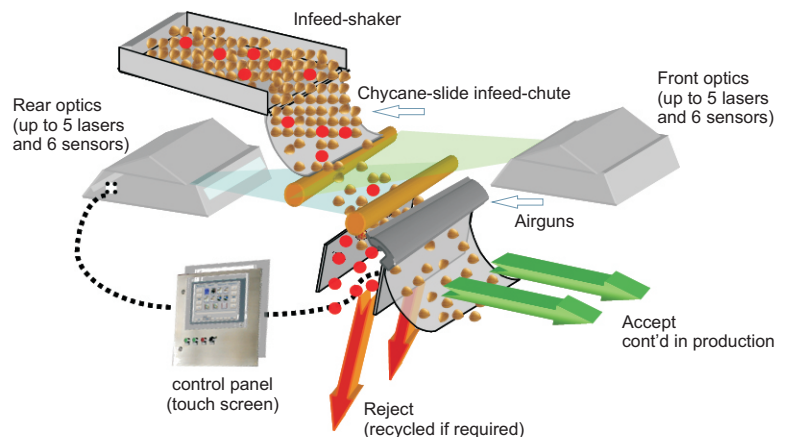
Simple touchscreen operation

Fastest payback in the industry

Our experts have used a lifetime of technical competence and customer interaction to develop the Lynx™-series of digital laser sorters. This generation of compact laser sorters brings 2 powerful additions to every sorting experience: they are fully digital and have the 68 cm (27 inch) Chycane™-slide infeed-chute. Thanks to this unique design and digital features the sort functions on combined color, biostructure and shape regardless of the nature of the product. Depending on your product, the number of sensors and the configuration of the lasers, it identifies and removes effortlessly any foreign bodies such as glass, stones, wood, stems, metals, plastics as well as defective products.

Today, Visys is the fastest growing sorting Company in the world. This is not surprising as Visys designs its systems with practical day-to-day use in mind as a result of our team's extensive experience in optical sorting. We know that the cost of the machine does not stop at the purchase price, so we have minimised day-to-day running costs and the need for expensive spare parts.

Chycane-slide working principle:



“ The proof of the pudding is in the eating ! ”,
so judge the sorting performance on your own product.
Give us a call and schedule your demo today !

Visys nv - Kiewitstraat 242, B- 3500 Hasselt, Belgium

T : + 32 (0) 11 24 91 91
F : + 32 (0) 11 24 91 99
E : info@visysglobal.com
www.visysglobal.com



Lynx™ DLS feature summary

Electricity

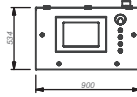
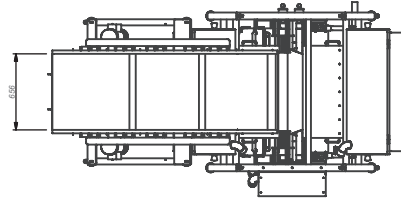
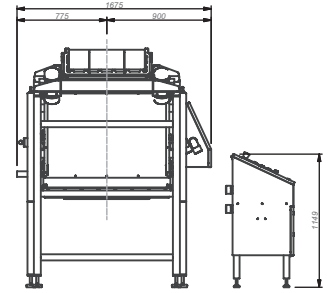
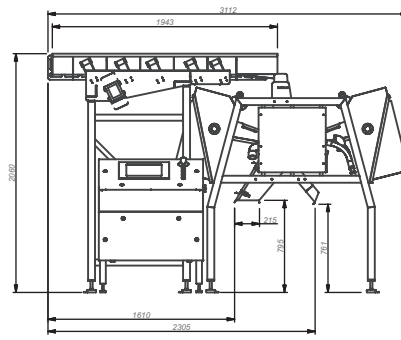
Single phase 230v / 5kVa / fuse 25 A / wires 4 mmz
50/60 hz
other voltages on request

Compressed air

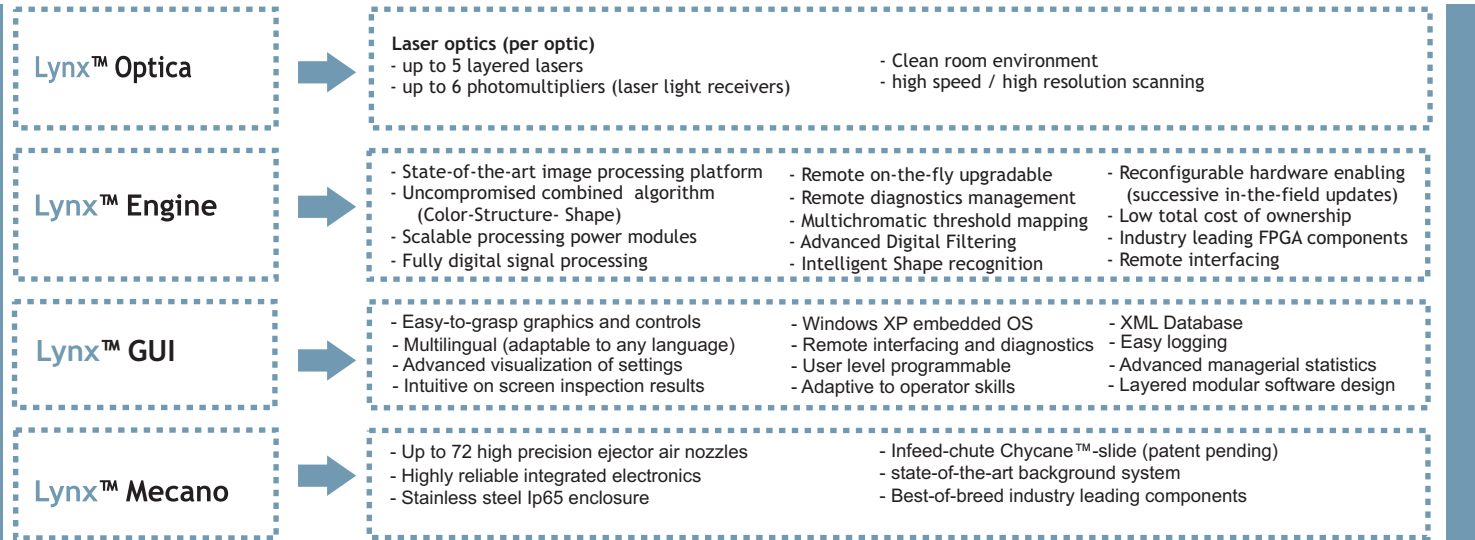
Minimum pressure : 6 bar (90 psi)
Maximum pressure : 10 bar (145 psi)
typical consumption : 200 Nm3/h (120 cfm)
Max. Consumption : 450 Nm3/h (300 cfm)
Quality : filtered 40µm oil / water / dust free
connection : 1.5 inch

Cooling water

Minimum pressure : 1 bar (15psi)
Maximum pressure : 3 bar (45 psi)
Minimum temperature : 5° c (41°F)
Maximum temperature: 12°c (54°F)
Quality : lime free and reusable
inlet connection : ½ inch
Outlet connection: ½ inch



Measurements in mm



Expertise >> Passion >> Result

The Visys group of companies are global leaders in digital automated sorting technology. Our engineers have, during their careers, set the standard globally by pioneering development in the optical inspection and sorting markets. Our passion and extensive expertise in sorting applications has now been put into the newest generation of digital laser sorters combining performance, cost efficiency and simplicity. Your laser sorting experience will never be the same again.

Visys invests substantially in new products and applications through our “Reactive PROactive certified partner program”, alongside blue-sky development to maintain a market-leading position. A continuing collaborative research program with leading international research establishments complements our investment program and ensures we maintain our current unrivalled leadership position. We are constantly shifting the sorting paradigm,... so partnering with Visys means joining with highly experienced and passionate people, leading to optimised results guaranteeing the most innovative sorting experience.

“The proof of the pudding is in the eating !”, so judge the performance on your own product. Give us a call and come and try our sorters in our demonstration facilities. Our skilled application engineers will be glad to discuss any sorting enquiry that you might have.

Agent contact details

©Visys nv. All rights reserved. Specifications, further details, terms and conditions are subject to change. Patented may mean, depending upon the jurisdiction, patented, patent granted, patent pending, preliminary or provisional rights approved or patent in any fase of approval. Not all products are available in all countries. Please consult the corporate headquarters for further details.

Visys nv - Kiewitstraat 242, B- 3500 Hasselt, Belgium

T: + 32 (0) 11 24 91 91
F: + 32 (0) 11 24 91 99
E : info@visysglobal.com
www.visysglobal.com

